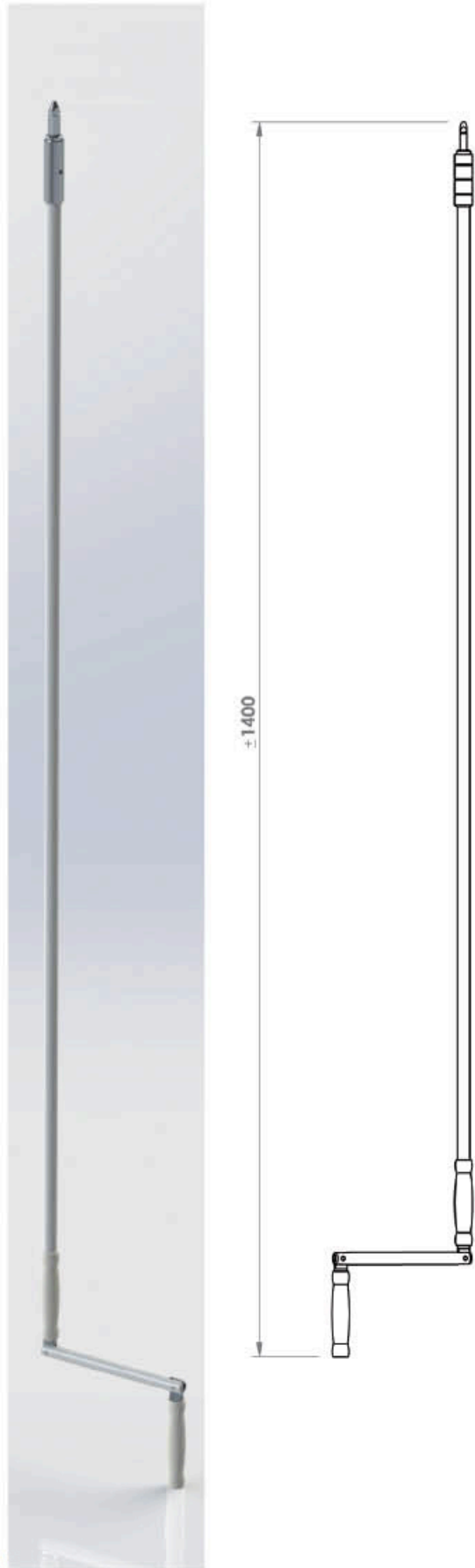


## Tubular Motors Accessories

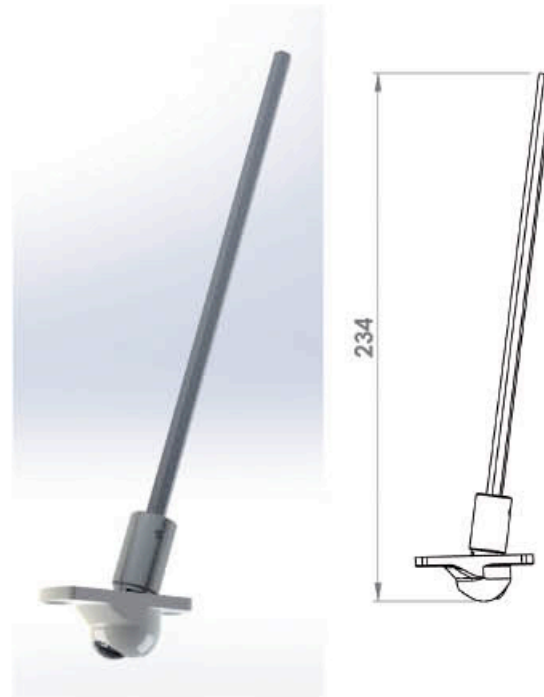
### Disconnectable Swinging Rod

Design



### Disconnectable Joint

Design



Description

#### DISCONNECTABLE SWINGING ROD

DIMENSIONS: 140 cm  
160 cm  
180 cm  
200 cm

Item Code: DSR140  
DSR160  
DSR180  
DSR180  
DSR200

Colors

- White RAL 9016
- RAL 1013
- Custom Color

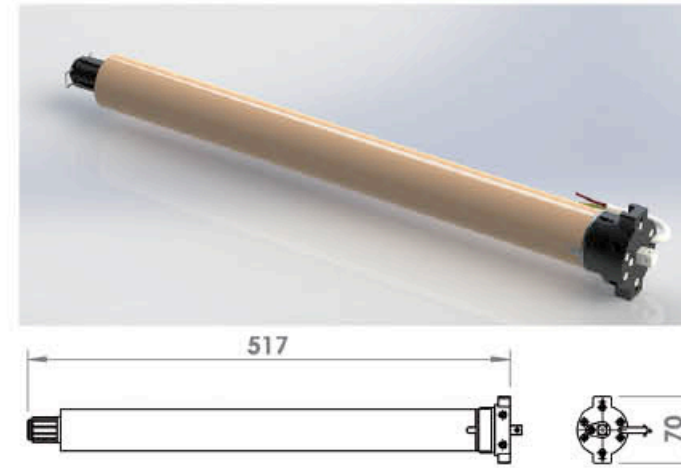
#### DISCONNECTABLE JOINT

Item Code: DSJ

## Tubular Motors Accessories

### Tubular Motor

Design



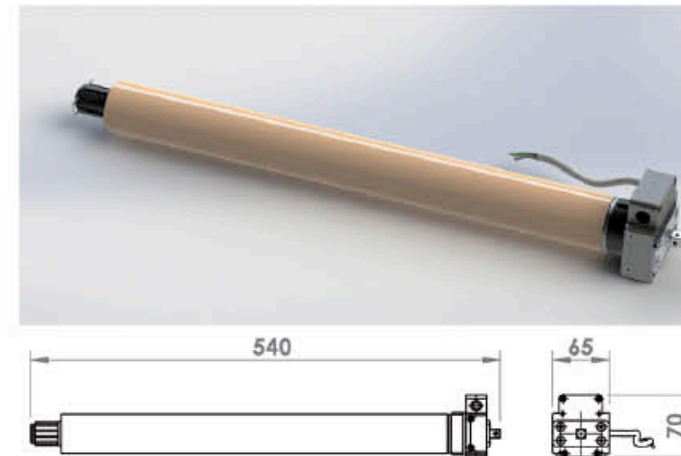
Description

#### 230 VAC TUBULAR MOTOR FOR ROLLER SHUTTER & AWNINGS

Item Code:	Torque:
100-FCH	10 Nm
150-FCH	15 Nm
200-FCH	20 Nm
250-FCH	25 Nm
350-FCH	35 Nm
400-FCH	40 Nm
500-FCH	50 Nm
800-FCH	80 Nm
1000-FCH	100 Nm
1300-FCH	130 Nm

### Tubular Motor + Override

Design



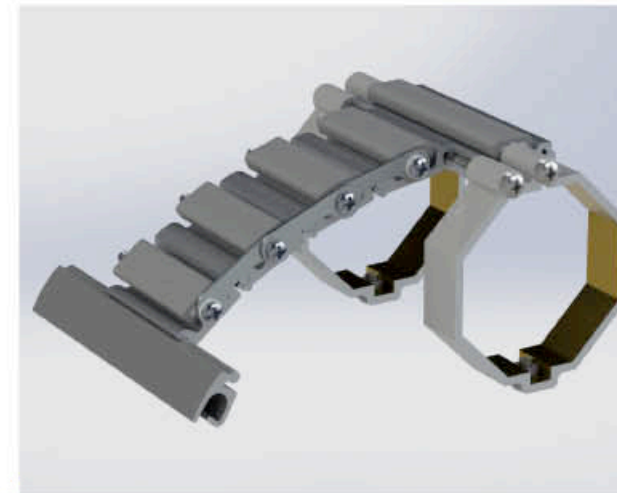
Description

#### 230 VAC TUBULAR MOTOR FOR ROLLER SHUTTER & AWNINGS

Item Code:	Torque:
100-FMM	10 Nm
150-FMM	15 Nm
200-FMM	20 Nm
250-FMM	25 Nm
350-FMM	35 Nm
400-FMM	40 Nm
500-FMM	50 Nm
800-FMM	80 Nm
1000-FMM	100 Nm
1300-FMM	130 Nm

### Jolly Block

Design



Description

#### JOLLY BLOCK OCTAGONAL

Item Code :

JBOT-605 ; Octagonal 60mm - 5 Elements  
JBOT-607 ; Octagonal 60mm - 7 Elements  
JBOT-705 ; Octagonal 70mm - 5 Elements  
JBOT-707 ; Octagonal 70mm - 7 Elements

